

LIGHTHOUSE R7 LED



SUITABLE FOR INDOOR AND OUTDOOR APPLICATIONS

Lighthouse R7 - ER provides a phenomenal resolution, capable of handling a diverse range of applications. R7, featuring 7mm enhanced resolution pixel pitch with wide viewing angles and high contrast levels, delivers the most stunning and high-quality image display.

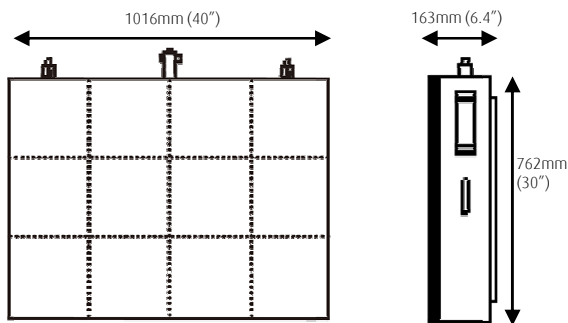
Using the same advanced digital processing technology as R12-ER and R10-ER panels, R7-ER's enhanced resolution doubles the effective resolution on the same-sized panel as its 16mm counterpart. Lighthouse have pushed the boundaries, developing a superior product adaptable for use in numerous environments, including; concerts, festivals, sporting tournaments, stage sets for awards ceremonies, exhibitions and conferences.

The R7-ER product also offers mechanical compatibility with the well-established R16, enabling designers to quickly adapt to the new technology. With over 200m2 available from CT, the R7 - ER has significantly advanced on beyond the previous products, providing improvements in performance, weight and functionality.



KEY BENEFITS

Brightness	5000 nits
Viewing angle horizontal	140° (50% brightness)
Viewing angle vertical	45° (50% brightness)
Contrast ratio (typical)	2,000:1
Pixel pitch	7.94 mm
Pixel density	15,876 per m ²
Pixel configuration	RGB 1, 2, 1
Colours	4.4 trillion
Data refresh rate (typical)	100,000 Hz
Video frame rate	50/60 Hz
Processing depth	14 bit
Operating temperature	-20 to +50°C
Power consumption (typical)*	254 watts



7.62m (25.0ft)										10 x 10
6.86m (22.5ft)										9 x 9
6.10m (20.0ft)										8 x 8
5.33m (17.5ft)										7 x 7
4.57m (15.0ft)										6 x 6
3.81m (12.5ft)										5 x 5
3.05m (10ft)										4 x 4
2.29m (7.5ft)										3 x 3
1.53m (5ft)										2 x 2
0.76m (2.5ft)										1 x 1
	1.02m (3.3ft)	2.03m (6.6ft)	3.05m (10ft)	4.06m (13.3ft)	5.08m (16.7ft)	6.10m (20.0ft)	7.11m (23.3ft)	8.13m (26.7ft)	9.14m (30.0ft)	10.16m (33.3ft)

Input sources: RGB/ SDI / HDSDI / SVHS / YUV (component) / PAL / NTSC / VGA / DVI

R7 Panel*	Panel total	Size (m ²)	Size (ft ²)	Dimensions w x h (m) w x h (ft)		Pixel Res @ 7mm W x h	Panel Total Weight Kg (lb)	Total (watts) MAX	Power consumption** Europe @ 230v I Phase (amps) US @ 110v I Phase (amps)	
1	1	0.77	8.33	1.02 x 0.76	3.3 x 2.5	128 x 96	48 (105.6)	634	2.8	5.6
4 x 4	16	12.4	133.33	4.06 x 3.05	13.3 x 10.0	512 x 384	768 (1689.6)	10,144	44.1	88.2
5 x 5	25	19.4	208.33	5.08 x 3.81	16.7 x 12.5	640 x 480	1200 (2640)	15,850	68.9	137.8
6 x 6	36	27.9	300.00	6.10 x 4.57	20.0 x 15.0	768 x 576	1728 (3801.6)	22,824	99.2	198.4
7 x 7	49	37.9	408.33	7.11 x 5.33	23.3 x 17.5	896 x 672	2352 (5174.4)	31,066	135.0	270.0
8 x 8	64	49.6	533.33	8.13 x 6.10	26.7 x 20.0	1024 x 768	3072 (6758.4)	40,576	176.4	352.8
9 x 9	81	62.7	675.00	9.14 x 6.86	30.0 x 22.5	1152 x 864	3888 (8553.6)	51,354	223.2	446.4
10 x 10	100	77.4	833.33	10.16 x 7.62	33.3 x 25.0	1280 x 960	4800 (10560)	63,400	275.6	551.2

Creative Technology Ltd
 Unit E2
 Sussex Manor Business Park
 Crawley
 West Sussex
 RH10 9NH

Tel.: +44 (0)1293 582000
 Fax: +44 (0)1293 582010
 info@ctlondon.com
 www.ctlondon.com

*Based on standard 4:3 aspect ratio (16:9 aspect also possible)
 **Based on typical power consumption being 40% of maximum